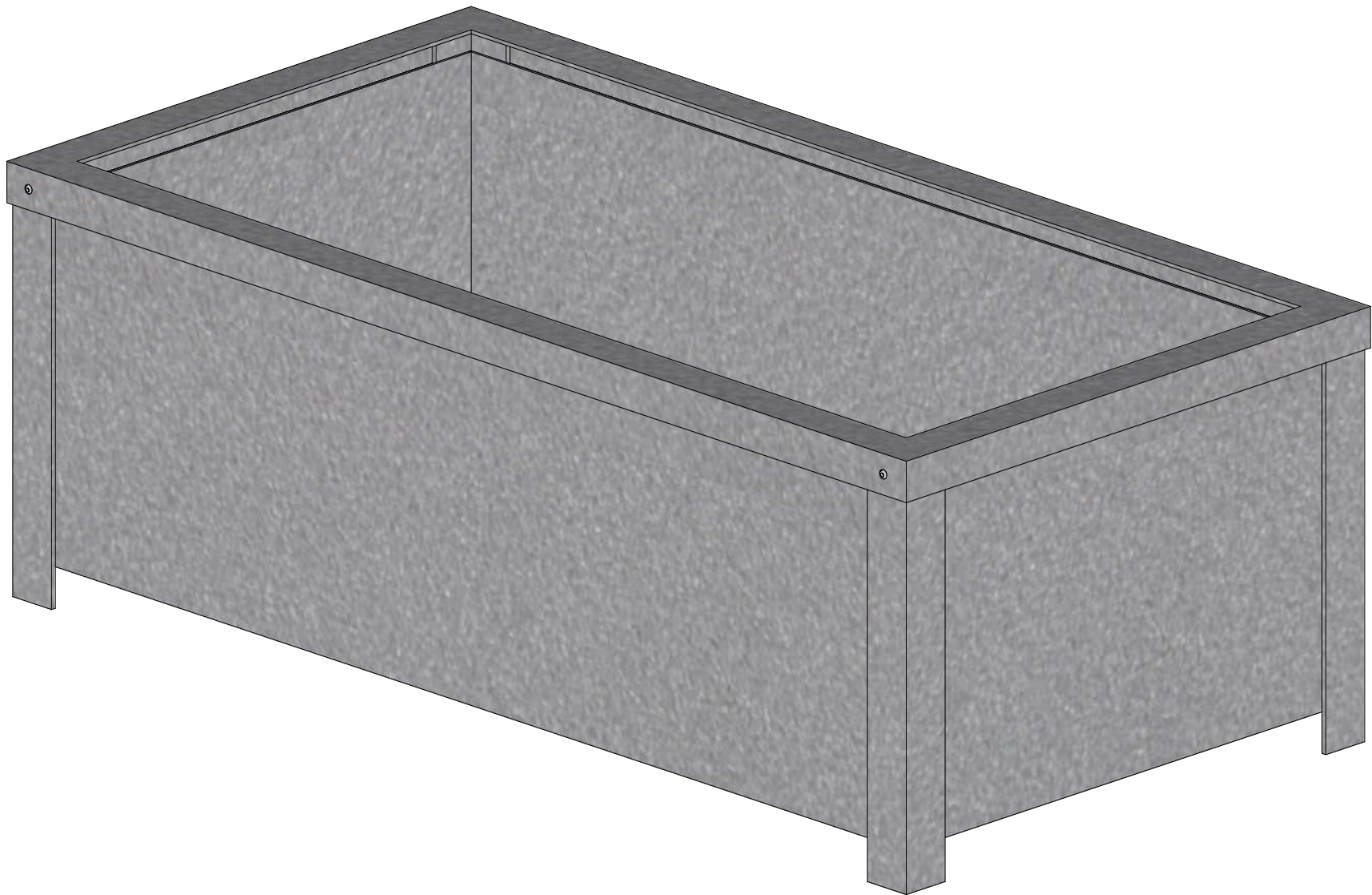

	WISHBONE SITE FURNISHINGS LTD 210-27090 GLOUCESTER WAY LANGLEY, BC			
	DWG. TITLE: URBAN FORM SELF WATERING PLANTER ALL METAL REVISION: 24/08/21 R:00			
MATERIAL: ALUMINUM	DWG. NO. DWSBPT24082100	DRAWN BY: GARY PARMAR		
PATTERN NO. N/A	MODEL NO. UFSWPAL-58	SCALE: 1:16	SHEET: 1 OF 2	DATE: 24 AUG 21



	WISHBONE SITE FURNISHINGS LTD 210-27090 GLOUCESTER WAY LANGLEY, BC			
	DWG. TITLE: URBAN FORM SELF WATERING PLANTER ALL METAL REVISION: 24/08/21 R:00			
MATERIAL: ALUMINUM	DWG. NO. DWSBPT24082100	DRAWN BY: GARY PARMAR		
PATTERN NO. N/A	MODEL NO. UFSWPAL-58	SCALE: AS SHOWN	SHEET: 2 OF 2	DATE: 24 AUG 21